

Instructions

Extend Card (Camera in)

Model No. WJ-PB85X08

Before attempting to connect or install this product, please read these instructions carefully and save this manual for future use.

Caution

Hold this board only by its edges. Otherwise components on the board may be damaged by static electricity.

■ Preface

The WJ-PB85X08 Camera Input Board is an optional board for expanding the camera input capability of the System 850 Matrix Switcher.

■ Appearance

① Camera Input Connector (CAMERA IN, 1 - 8)

These connectors accept either a color or B/W composite video signal from a camera. In addition, the VD2 signal for synchronizing the vertical timing of the cameras, and data to control camera site devices are multiplexed through this connector.

② Video Output Port (VIDEO OUT)

The video signal connected to the Camera Input Connector (CAMERA IN) is present at this port. The camera control data multiplexed on the video signal is not available at this port. When the power of the Matrix Switcher Card cage is turned off, no signal is present at this port. Connect between this output port and the VIDEO IN Port on the WJ-PB85C16 Cross Point Input Board of the Cross Point Cage (MXSW) for switching camera input.

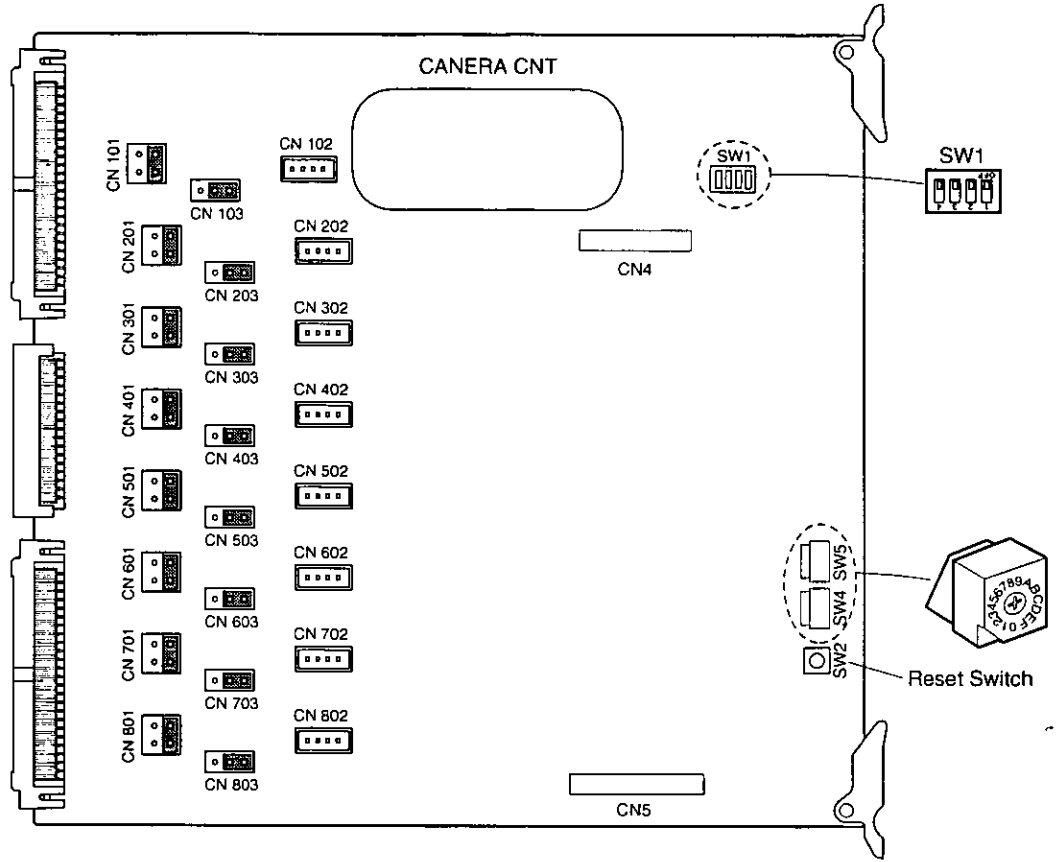


Pin No.	Designation	Pin No.	Designation
25	CAMERA 1	13	Ground
24	CAMERA 2	12	Ground
23	CAMERA 3	11	Ground
22	CAMERA 4	10	Ground
21	CAMERA 5	9	Ground
20	CAMERA 6	8	Ground
19	CAMERA 7	7	Ground
18	CAMERA 8	6	Ground
17	Not used	5	Ground
16	Not used	4	Ground
15	Not used	3	Ground
14	Not used	2	Ground
		1	Ground



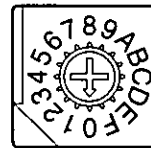
Board Setting

Before installing this board, the following settings should be made by qualified service personnel or system installers.

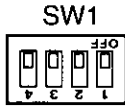


1. Set switches (SW4 and SW5) on the board to designate the camera input board number as shown in the following table. The factory default setting is Board Number 1 (00)

Board No.	Camera Input	SW Positions	
		SW5	SW4
1	1 - 8	0	0
2	9 - 16	0	1
3	17 - 24	0	2
4	25 - 32	0	3
5	33 - 40	0	4
6	41 - 48	0	5
7	49 - 56	0	6
8	57 - 64	0	7
9	65 - 72	0	8
10	73 - 80	0	9
11	81 - 88	0	A
12	89 - 96	0	B
13	97 - 104	0	C
14	105 - 112	0	D
15	113 - 120	0	E
16	121 - 128	0	F

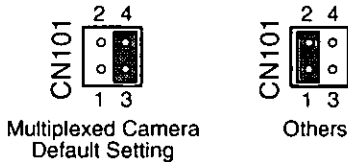


- Confirm that switches (SW1) on the board are set to the OFF position as shown below.

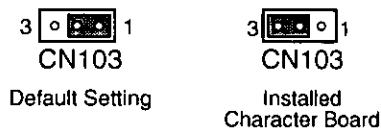


DIP	ON	OFF
1	Character display without camera input	No display without camera input
2	No retry mode	3 retries mode
3	Reserved	Reserved
4	Reserved (P)	Reserved (N)

- Position jumper connectors (CN101, CN201, CN301, CN401, CN501, CN601, CN701, and CN801) on the board as shown below.
The factory default setting is positions 3 and 4 (Multiplexed Camera).



- If the Character Board is installed on the Camera Input Board, position jumper connectors (CN103, CN203, CN303, CN403, CN503, CN603, CN703, and CN803) on the board as shown below.
The factory default setting is positions 1 and 2.



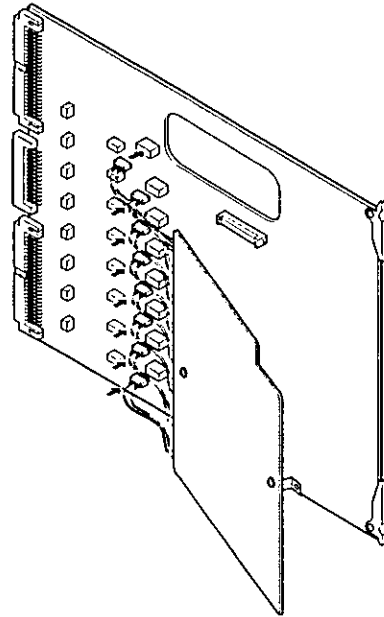
Installation

The following installation should be made by qualified service personnel or system installers.

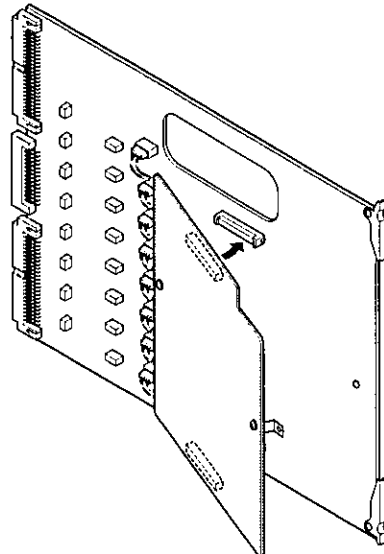
Installing a Character Board

If the WJ-PB85D01 Character Board is installed on the WJ-PB85X08 Camera Input Board, follow the procedure shown below.

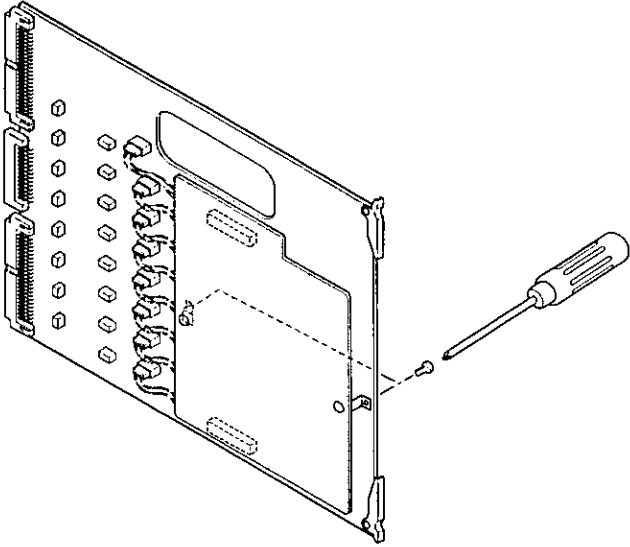
- Insert the connectors of the Character board into the specified connectors (CN102, CN202, CN302, CN402, CN502, CN602, CN702, and CN802) on the Camera Input board.



- Place the Character board on the Camera Input board and plug in the boards.

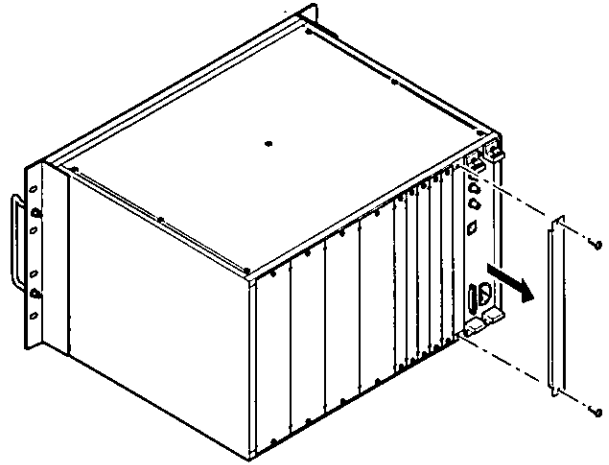


3. Fix both boards with the two supplied screws (M3x6) as shown below.

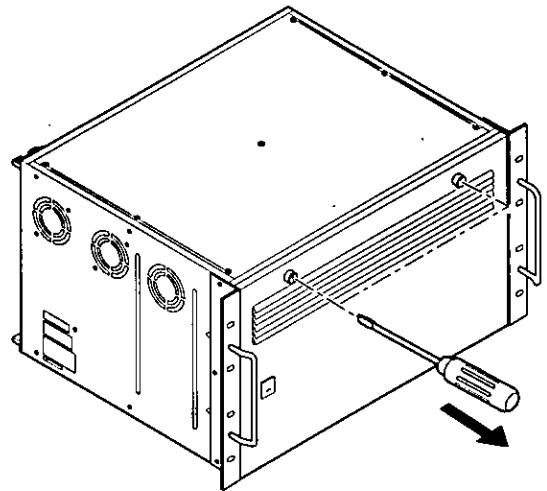


● Installing Additional Extension Boards

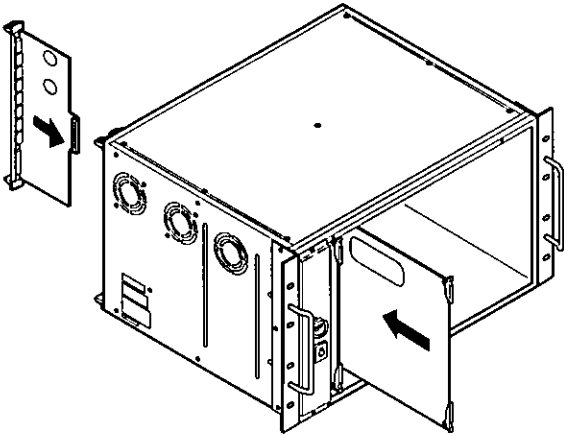
1. Remove the screws from the rear panel(s) of the WJ-SX850 Matrix Switcher Card Cage.



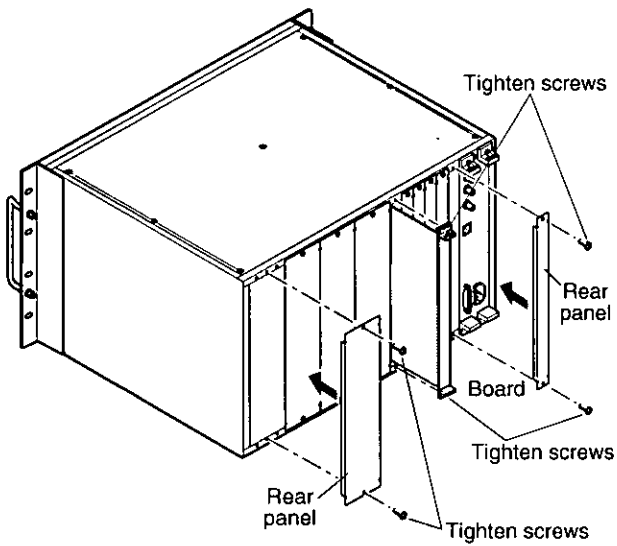
2. Remove the rear panel(s).
3. Remove the front panel of the cage by removing the two screws on the panel shown below.



- Place the Boards into the specified positions in the front or rear of the Cage by sliding them along the board guides as shown below.



- Make sure to push in the Boards until they are seated firmly.
- Secure the rear board by tightening the two screws on the board.



- Close open spaces on the rear of the Cage with the supplied rear panel(s).
- Close the front of the cage by fixing the front panel.

■ Specifications

Camera Input (1 - 8):	1.0 V[p-p]/75Ω composite video signal 0.5 V[p-p]/75Ω data signal and 2.5 V[p-p]/ 75Ω vertical timing pulse multiplexed.
Video Output:	1.0 V[p-p]/75Ω composite video signal 25-pin D-sub connector
Functions:	Cable compensation: S, M, L (Short, Middle, Long) Vertical Drive Pulse (VD2) Output: On / Off Control Data Output: On / Off
Dimensions:	Front Board; 255(W) x 250(H) x 12(D) mm 10-1/16"(W) x 9-13/16"(H) x 1/2"(D) Rear Board; 117.5(W) x 265(H) x 20(D) mm 4-5/8"(W) x 10-7/16"(H) x 13/16"(D)
Weight:	0.6 kg (1.3 lbs)

Weight and dimensions indicated are approximate.
Specifications are subject to change without notice.

Panasonic Security and Digital Imaging Company

A Division of Matsushita Electric Corporation of America

Executive Office: One Panasonic Way 3E-7, Secaucus, New Jersey 07094

Regional Offices:

Northeast: One Panasonic Way, Secaucus, NJ 07094 (201) 348-7303

Southern: 1225 Northbrook Parkway, Suite 1-160, Suwanee, GA 30024 (770) 338-6838

Midwest: 1707 North Randall Road, Elgin, IL 60123 (847) 468-5211

Western: 6550 Katella Ave., Cypress, CA 90630 (714) 373-7840

Panasonic Canada Inc.

5770 Ambler Drive, Mississauga,
Ontario, L4W 2T3 Canada (905)624-5010

Panasonic Sales Company

Division of Matsushita Electric of Puerto Rico Inc.

Ave. 65 de Infanteria, Km. 9.5
San Gabriel Industrial Park, Carolina,
Puerto Rico 00985 (809)750-4300